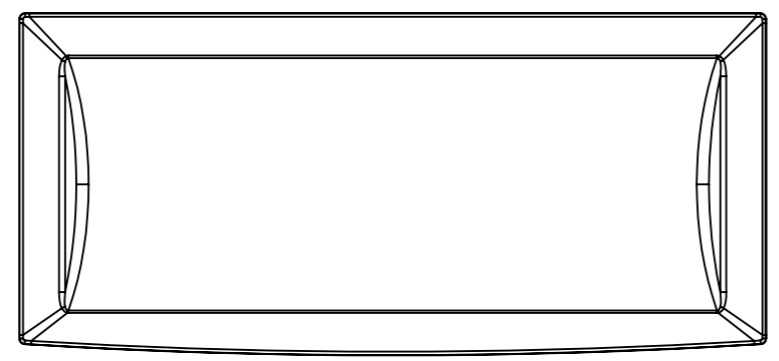
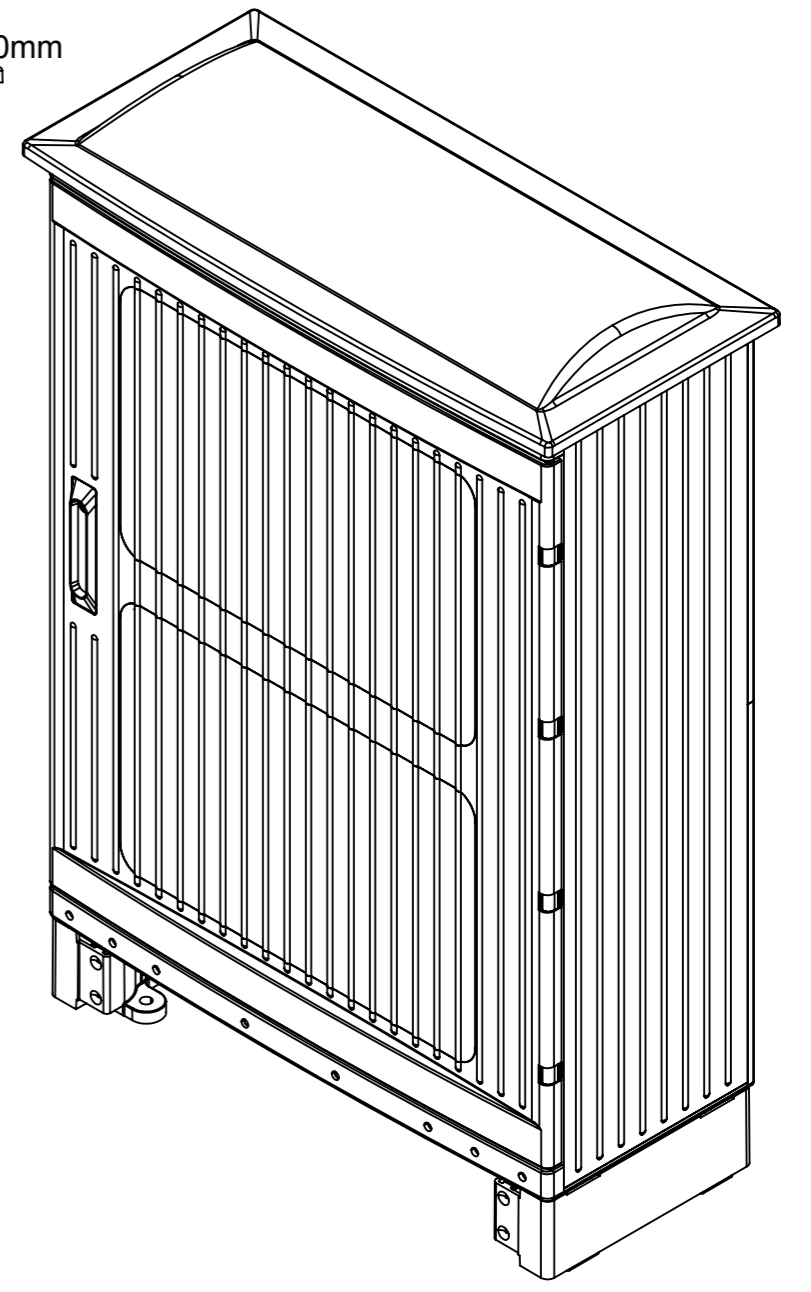
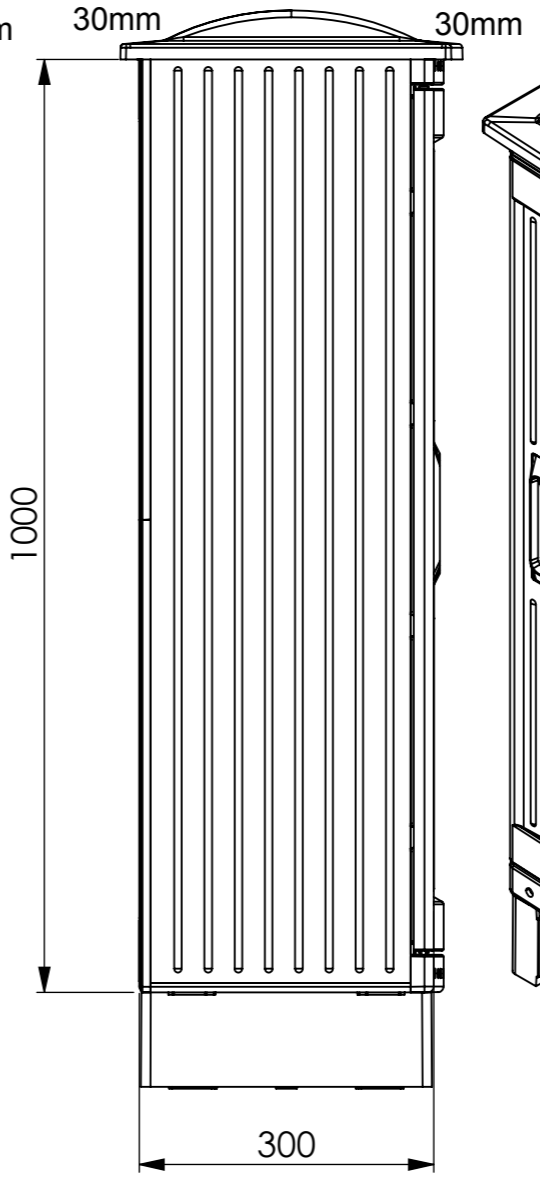
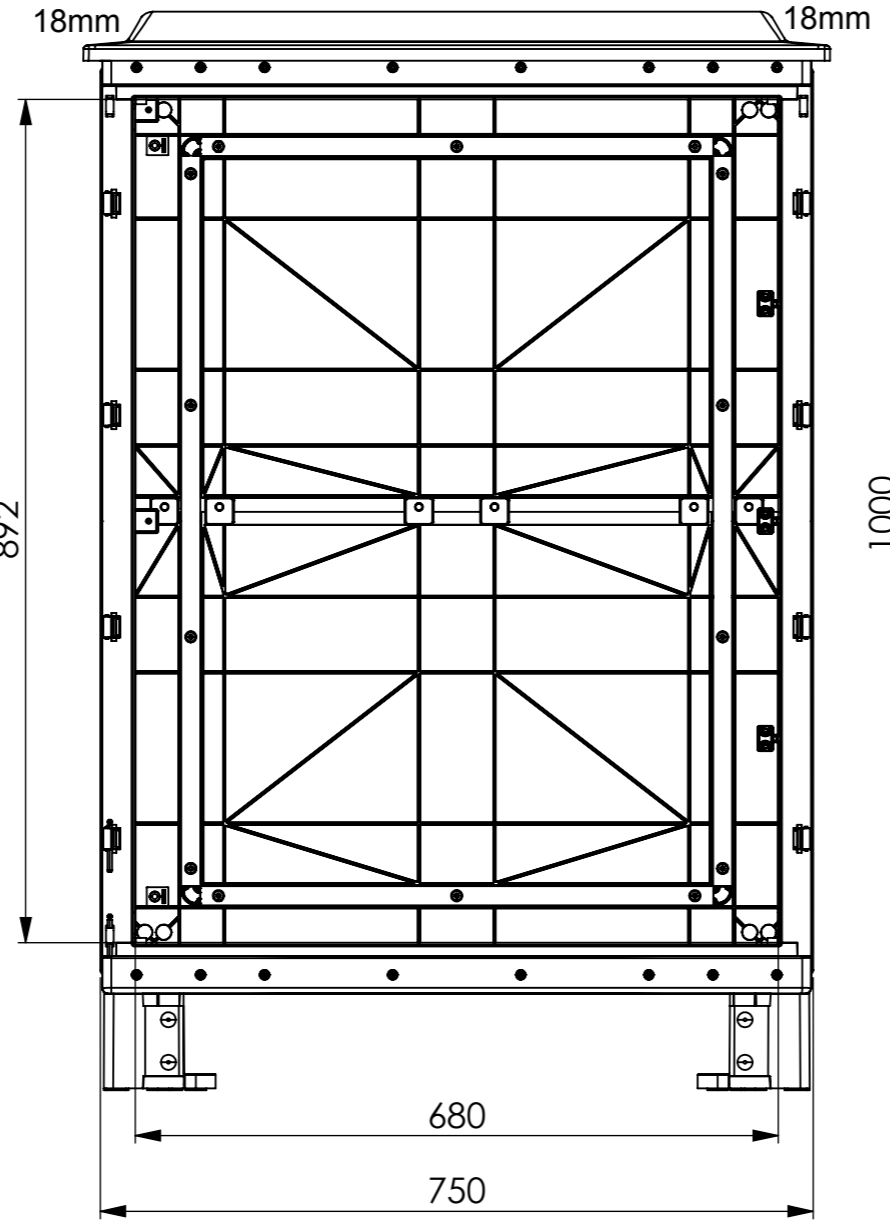
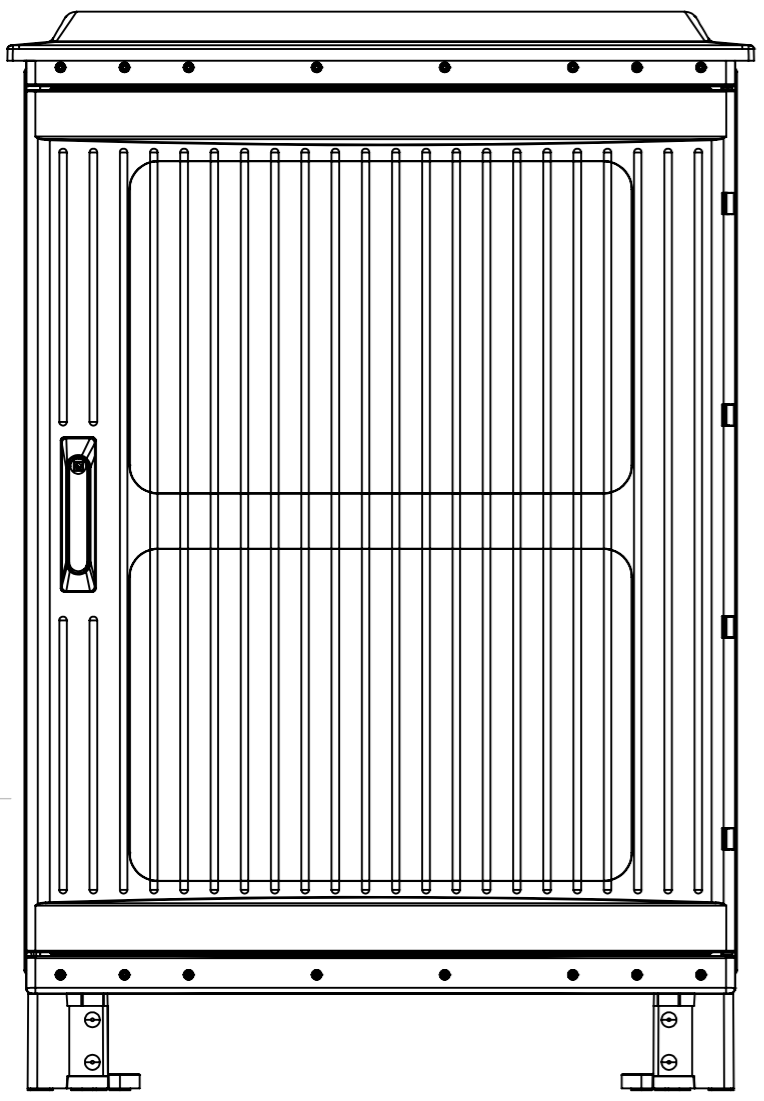


1 2 3 4 5 6 7 8

A B C D E F



| GENEL TOLERANSLAR | | DIN 7168 | | | | | | |
|-------------------|------|----------|---------|----------|-----------|------------|--|--|
| OLCU TOL. | >0-6 | >6-30 | >30-120 | >120-315 | >315-1000 | >1000-2000 | | |
| | ±0.1 | ±0.2 | ±0.3 | ±0.5 | ±0.8 | ±1.2 | | |

| MALZEME / Material | KALINLIK / Thickness | AĞIRLIK / Weight | YÜZEY ALANI / Surface Area | FINAL / Finish |
|----------------------|---------------------------|------------------|---|----------------|
| | mm | 21553.8789 Kg | 10755161.9959 m ² | |
| İSİM / Name | TARİH / Date | İMZA / Signature |  ÇETİNKAYA PANO® SAĞ TABLO ve PLASTİK BANAYI A.Ş. | |
| ÇİZEN / Designed by | 10.07.2019 | | | |
| KONTROL / Checked by | 10.07.2019 | | | |
| ONAY / Approval | 10.07.2019 | | | |
| ÖLÇEK / Scale | RESİM NO / DRAWING NUMBER | | TANIM / DESCRIPTION | |
| 1:5 | CP 5610 | | 75X100X30 GALVANİZ TABAN SACLI A3 | |